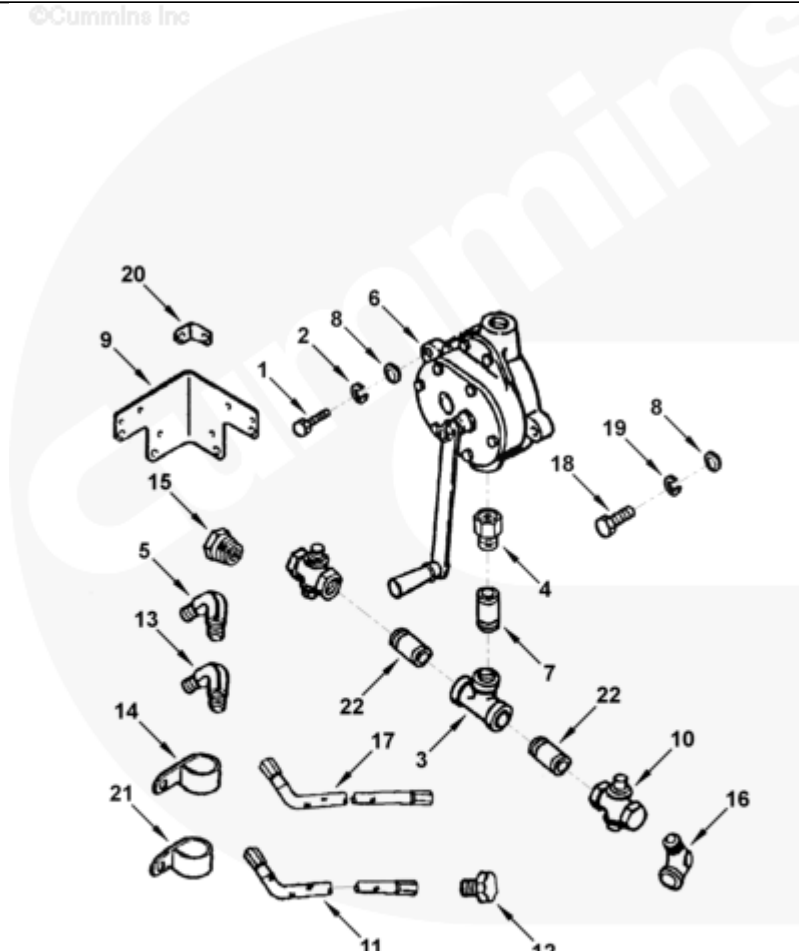




Parts Catalog - Option Detail

Electronic Parts Catalog - Option Detail				
Option	Group	Graphic	Film Card	Date
PS1006	07.08	ps500ga	F	15-JAN-94
Engines	NH/NT 855, NT495, NT743, NTA855 N106			

©Cummins Inc



ps500ga

[SMALL](#) | [MEDIUM](#) | [LARGE](#)

Cart	Ref No	Part Number	Part Description	Required	Remarks
View My Cart					
		PS1006	Scavenge Pump		

					Sump Pump
					Rotary oil sump pump mounted
					on port side for use with
					MG509 MG514 and capitol
					marine gear. Plumbed to both
					oil pan and marine gear sump.
<input type="checkbox"/>	1	S 105 C	Hexagon Head Cap Screw	3	1/4 - 20 x 1 1/4 in.
<input type="checkbox"/>	2	S 600	Lock Washer	3	1/4 in.
<input type="checkbox"/>	3	S 960	Female Pipe Tee	1	
<input type="checkbox"/>	4	S 982	Reducing Pipe Bushing	1	
<input type="checkbox"/>	5	100501	Male Adapter Elbow	2	
<input type="checkbox"/>	6	123822	Hand Pump	1	
<input type="checkbox"/>	7	S 903 C	Plain Pipe Nipple	1	
<input type="checkbox"/>	8	S 670	Plain Washer	2	1/2 in.
<input type="checkbox"/>	9	3062419	Hand Pump Bracket	1	
<input type="checkbox"/>	10	3200802	Shut-Off Valve	2	
<input type="checkbox"/>	11	AM10020 SS	Flexible Hose	1	
<input type="checkbox"/>	12	123824	Threaded Plug	1	1 - 18 UNS.
<input type="checkbox"/>	14	107460	Clip	1	
<input type="checkbox"/>	15	S 910 C	Reducing Pipe Bushing	1	
<input type="checkbox"/>	17	AM10056 SS	Flexible Hose	1	
<input type="checkbox"/>	18	106289	Hexagon Head Cap Screw	2	1/2 - 13 x 2 1/4 inch
<input type="checkbox"/>	19	S 608	Lock Washer	2	1/2 in.
<input type="checkbox"/>	21	204263	Clip	3	
<input type="checkbox"/>	22	S 920	Plain Pipe Nipple	2	
<input type="checkbox"/>		S 200	Heavy Hexagon Nut	2	1/2 - 13 UNC.
<input type="checkbox"/>		S 631	Plain Washer	1	1/4 inch
<input type="checkbox"/>		43764	Male Connector	1	
<input type="checkbox"/>		67946	Plain Washer	1	1 1/32 in.

<input type="checkbox"/>		127018	Plain Washer	3	1/4 in.
--------------------------	--	--------	--------------	---	---------

© 2019 Cummins Inc., Box 3005, Columbus, IN 47202-3005 U.S.A.
Terms of Use and Disclaimers | Recommended System Requirements
Need Assistance? Please click on the Contact Us button in the top right corner of any page.